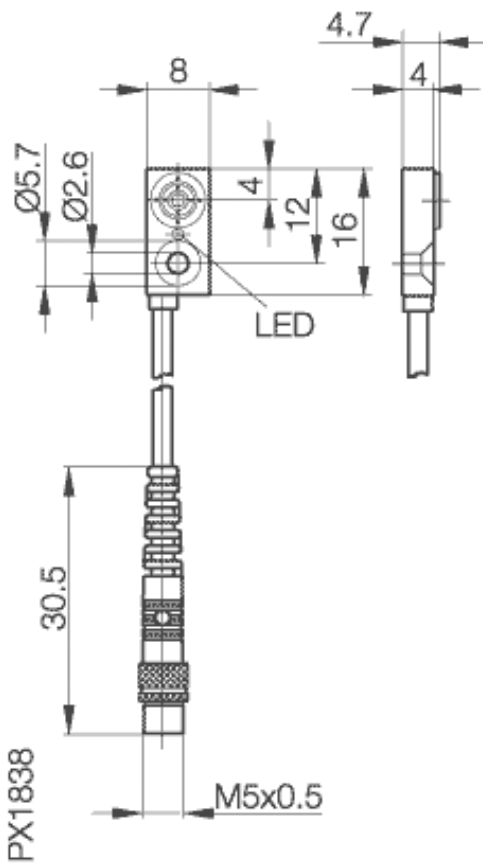


**Inductive Sensors**  
**BES R04KC-POC15B-S26-00,2**  
**8 x 16 x 4**  
**normally-closed**  
**Sn=1,5mm**  
**shielded**



**Common Data**

Mounting in steel	shielded
Rated operating distance Sn	1,5mm
Assured operating distance Sa	0...1.2mm
Repeatability R	1%
Hysteresis	≤ 15%
Function indication	yes
Ambient temperature range	-25...+70°C
Polution Degree	3
Time delay before availability	≤ 10ms

**Mechanical Data**

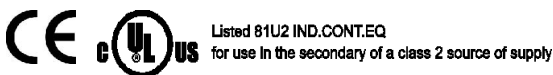
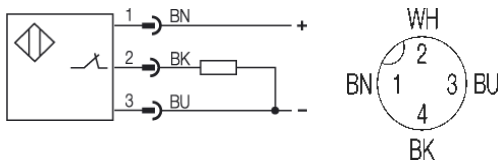
Measurements BxHxT or DxT	8 x 16 x 4mm
Housing material	PA6-GF30
Material of sensing face	PA6-GF30
Degree of protection	IP67IP
Connection	Cable with Connector
Cable type	PU, 3x0,09mm <sup>2</sup>
Schock: Halbsinus, 30 gn, 11ms	
Vibration: 55 Hz, 1mm Amplitude, 3 x 30 Minutes	

**Electrical Data**

Current type	DC
Wiring	3-Wire
switching function	normally-closed
Output signal	PNP
Rated operational voltage	24 DCV
Rated operational current	100mA
Supply voltage	5...30 DCV
Ripple	≤ 10%
max. switching frequency	600Hz
Minimum operational current	0mA
No-load supply current	≤ 10mA
Off-state current	50µA
Voltage drop	1,5V
Short circuit protection	yes
Protected against polarity reversal	no

**Remarks**

Mounting Instructions 825345



Utilization categories DC 12  
 Insulation class

Datasheet number:

Definitions see general catalog.  
 If not otherwise noted, ratings according to IEC 60947-5-2 (DIN EN60947-5-2)

Balluff GmbH  
 Schurwaldstrasse 9  
 73765 Neuhausen a.d.F.  
 Phone (07158) 173-0 Fax (07158) 5010

Datenblatt by CD-ROM - 04/2007

**BALLUFF**  
 sensors worldwide